

EuroBad BB

FDV-Dokumentasjon

Takdusj Milano



Milano Takdusj

Takdusj med dusjtermostat.

Dusjsett med toppdusj og hånddusj.
Dusjene er laget med silikon for lett rengjøring.

Dusjslange er EN-godkjent spiralslange produsert i stål og utstyrt med en antitwist funksjon.

Mål : Total lengde ca 932-1281mm
Anbefalt avstand ca 85cm
Dusjstang: 15x30mm (oval)

Utførelse: Krom

Tilbehør: 150cm Dusjslange
Såpeskål
Glider

Godkjenning: EN 1113:1997 (dusjslange)

Merknader : Monteringsanvisning på norsk/svensk medfølger.

Emballasje: Dusjsettet pakkes i kartong

Tekniske spesifikasjoner

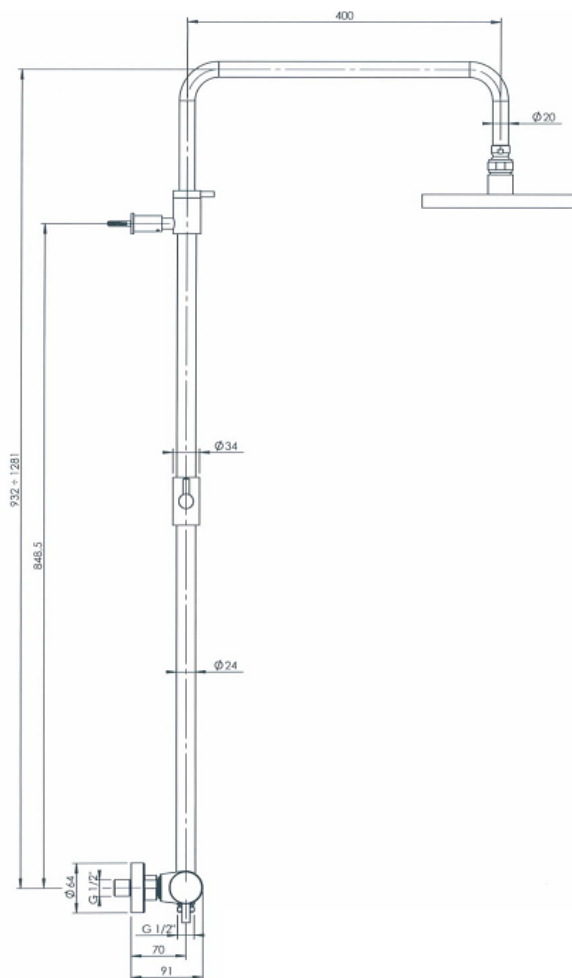
Varmtvanntilkobling : Max 85°C (Anbefalt 65°C)
 Normalt statisk trykk : Max 5 Bar
 Test trykk : 16 Bar statisk og 50 Bar trykkstøt
 Vannmengde i L/Min : 18 liter (ved 3-5Kp trykk)
 Støy i dB v/5Kp trykk : ca31,5dB

Garanti

Eurobad følger norsk lov om kjøp og forplikter seg ikke ytterligere ut over dette om ikke annet er avtalt.

Det gis normalt 5 års garanti mot fabrikkfeil på produktene av produsent.. I denne perioden erstattes defekte deler med nye.

NB! Garantien dekker således ikke normal slitasje eller feil oppstått grunnet feil montering eller dårlig vedlikehold.



Takdusj Milano

IMPORTANT – CARE OF YOUR PRODUCT CLEANING

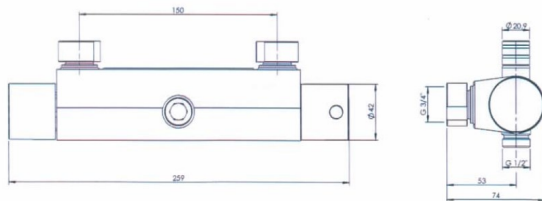
After use all finishes should be maintained by wiping with a soft, damp, clean cloth and then polished using a dry duster. NO abrasive powder, detergents or polishes should be used. Cleaner containing alcohol, acid or corrosive chemicals should not be used.

NOTE

- Some household bleaches and denture cleaners can damage plated or coloured finishes and if splashed onto a fitting should be immediately washed off with cold water.
- If these instructions are followed we believe this fitting will give many years of satisfactory use.
- We have a policy of continuous improvement and reserve the right to change specification without notice.
- In case of prolonged disuse of the mixer in winter time, it is recommended to close the system and empty the mixer to avoid damages caused by frost.

GUARANTEE

The shower mixer is guaranteed for a period of 5 years against any defects of materials and workmanship from date of purchase, subject to correct installation, maintenance and use in accordance with this instruction leaflet. Please retain proof of purchase. During the guarantee period parts will be replaced or repaired at our option. This guarantee is offered as an extra benefit and does not affect your statutory rights as a consumer in any way whatsoever



GENERAL CHARACTERISTICS

The Valve is suitable for all water heating systems provided it is installed correctly by a competent and qualified installer. Please refer to installation diagrams.

OPERATING SPECIFICATIONS

Hot water supply temperature:

Maximum: 85°C
Minimum: 5°C Higher than maximum required mixed temperature.
Advisable 65°C

Minimum difference between hot and mixed temperature is 10°C

Operating Pressure

Maximum: 5 Bar
Minimum: 0.1 Bar

Hot and Cold Operating pressure should be kept as balanced as possible in order to maintain maximum efficiency.

When the supply pressure is higher than a 5 Bar a pressure reducing valve should be fitted before the shower valve.

TECHNICAL DATA

The temperature control knob is with stop at 43°C to avoid scalding. The mixer ports are supplied 3/4" BSP threads.

PLUMBING RECOMMENDATIONS

- An independent hot and cold water supply is required for the shower system please refer to installation diagrams.
- Large runs of pipe work will cause frictional loss of pressure.
- The recommended pipe work from both cylinder and water tank should be 22mm minimum for low-pressure systems.
- If more than one shower valve is installed the minimum feed from tank and cylinder should be 28mm. (Ensure adequate supply of both hot and cold water can be maintained).

WATER BYE LAWS

The mixing valve should be installed in accordance with the water bye laws. For further details refer to the latest copy of Water Bye Laws guide or your local water authority.

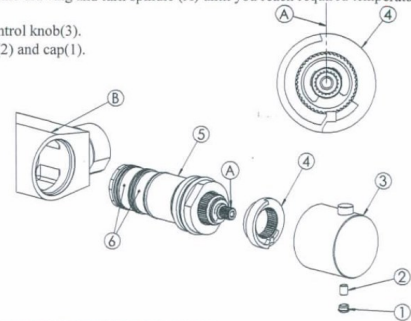
CLEANING OR REPLACE CARTRIDGE

- Shut off water supply to both inlets.
- Remove the cap(1), unscrew the grub screw(2) with Alan key 2,5 and take off temperature control(3) and plastic stop ring(4).
- Remove the cartridge(5) with a spanner 30 mm.
- lean filters(6) under running water or in vinegar for one night.

EXPOSED THERMOSTATIC SHOWER VALVE WITH DIVERTER



- Grease the "O"-rings and reassemble the cartridge in to the body, replace the plastic stop ring (4), according to the drawing and turn spindle (A) until you reach required temperature 38°C.
- Re-fit temperature control knob(3).
- Re-fit the grub screw(2) and cap(1).



MAINTENANCE – DIVERTER CARTRIDGE CHANGE

- Shut off water supply to both inlets.
- Remove the cap(1), unscrew the grub screw(2) with Alan key 2,5 and take off the diverter handle(3).
- Unscrew the screw(4) and remove by hand the element(5).
- Unscrew flange(6) using 21mm spanner, remove the diverter cartridge(7).
- Place the new cartridge, inserting the two pivots into the corresponding seats.
- Before re-assembling cartridge clean its housing with wet cloth and grease "O" rings on cartridge.
- Reassemble the flange(6) using 21mm spanner.
- Re-fit the element(5) and secure with screw(4).
- Re-fit the diverter handle(3) and secure with grub screw(2).
- Re-fit the cap(1).

